



Plastic Sheets



Plastic Finishes



Plastic Fabrication

Best Manufacturer of Riot Shield In China



UVPLASTIC

Anti Riot Shield (UVRs)

www.uvplastic.com

ABOUT UVPASTIC

2003

Founding Time

35

Staffs

30+

Countries

560+

Clients

12+

Millions

WHO WE ARE

UVPLASTIC Material Technology Co., Ltd is a *ONE-STOP SUPPLIER* and *INTEGRATED SOLUTION PROVIDER* in the plastic field, established in 2003 at Suzhou, China. After many years of continuous effort, the company has grown to be a leading supplier of

[Polycarbonate Sheet;](#)

[Acrylic Sheet;](#)

[Plastic Fabrication Services;](#)

[OEM & ODM Services;](#)

Today, UVPLASTIC is active in architecture & construction, agriculture, medical industry, auto industry, security industry, electronic industry, POP display, optical industry, and industrial fabrication, etc.

COOPERATION PARTNER



WHY UVPLASTIC

One-Stop Supplier



UVPLASTIC is a one-stop [supplier of polycarbonate](#) and acrylic sheets in all forms. Meantime, we offer the complete system for the greenhouse, building roof, and [facade system](#).

Strong Fabrication Capacity



UVPLASTIC offers integrated fabrication solution for polycarbonate and acrylic sheets including [cutting](#), bending, drilling, milling, carving, thermoforming, injection molding, and coating.

Design and Development

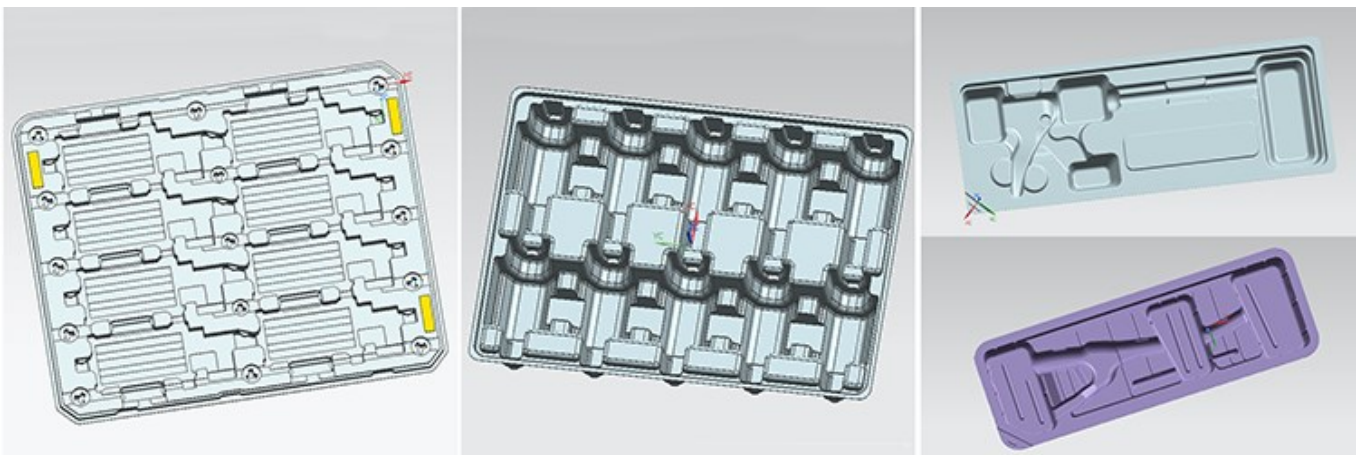
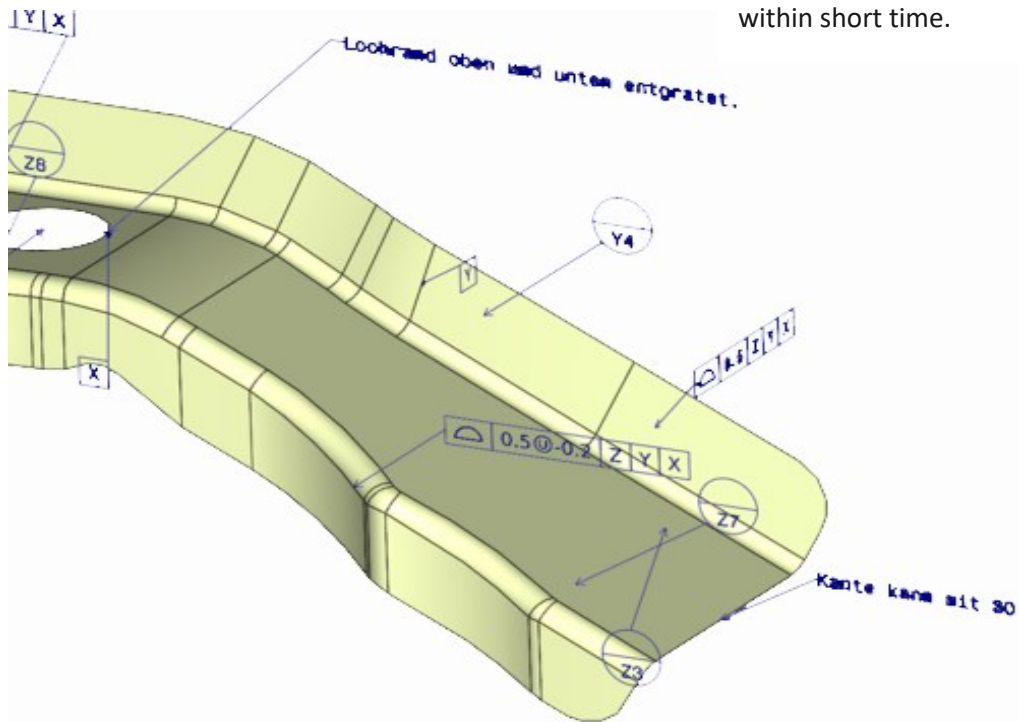


With assistance from CAD, Solidworks, CATIA, and UG, UVPLASTIC works with global engineers to discuss product feasibility and find the best solution for the projects.

Custom Fabrication



With more than 15 years of experience and high efficient working style, UVPLASTIC can build the prototype fastly and will make customer's ideas come true within short time.



Polycarbonate

[Solid Polycarbonate sheet](#);
[Multi Wall Polycarbonate Sheet](#);
[Thin Polycarbonate Sheet/Film](#);
[Hard Coated Polycarbonate Sheet](#);
[Corrugated Polycarbonate Sheet](#);
[ESD Polycarbonate Sheet](#);
[Polycarbonate Diffuser Sheet](#);
[V0 Flame Retardant Polycarbonate](#);

Acrylic

[Cast acrylic sheet](#);
[Extruded Acrylic Sheet](#);
[Colored Acrylic Sheet](#);
[ESD Acrylic Sheet](#);
[Coated Acrylic Sheet](#);
[Non glare Acrylic Sheet](#);
[Scratch Resistant Acrylic Sheet](#);
[Acrylic Mirror Sheet](#);

Plastic Fabrication Service

Polycarbonate Cut To Size;
Edge Finishing;
Plastic Bending;
Surface Finishing;
Thermoforming;
Screen/Digital printing

OEM & ODM

[Riot Shield](#);
[Plastic Chair Mat](#);
[Clear Kayak](#);
[Polycarbonate skylight Dome](#);
[Clear Bubble Tent](#);
Acrylic Display;
Acrylic Furniture;





What We Can Do For Riot Shield

Competitive Riot Shields

As a leading manufacturer of anti-riot shields in China, UVPLASTIC performs the strict cost control system and quality control system, we can provide competitive riot shield with good price, including round riot shield, Rectangle Riot Shield, French Riot Shield, anti riot shield, etc.

OEM Service at Riot Shields

Our clients are not only the end-users, police departments but also the distributors and wholesalers of police riot shields. We can manufacture custom [riot shields](#) according to the requirement.

Semi-finished Riot Shields

UVPLASTIC is a professional manufacturer of polycarbonate sheets and a provider of polycarbonate fabrication services. Therefore, we provide semi-finished riot shields.





Products

Round Riot Shield



Name: Round Riot Shield;

Model: UVRS - R - S;

Size: 20 - 25" (500 - 650 mm)

Thickness: 3 mm, 3.5 mm, 4 mm, 4.5 mm, 5 mm;

NOTE: CUSTOMIZED SIZE IS AVAILABLE;

Description

Item	Description
Product Name	Police Anti Shield
Model	UVRS-R-S
Raw Material	Clear Polycarbonate Sheet
Size	Diameter is 20 - 25" (500 - 650 mm), can be customized
Thickness	3 mm, 3.5 mm, 4 mm, 4.5 mm, 5 mm
Riot shield weight	From 1.3 kg to 2 kg (from 2.86 lbs to 4.4 lbs)
Light transmittance	≥80%
Riot shield parts	Circle polycarbonate sheet, inside with arm sling, handrail and forearm pad
Color	Clear/transparent, custom colors are available
Logo	Ink print, Customized LOGO
Impact strength	147J kinetic energy impact
Puncture resistance	147J kinetic energy puncture
Handle connection strength	≥ 500N
Armband connection strength	≥ 500N
Target customer	Police departments, armed police, Riot squads, prisons, Security companies, security guards, Distributor of security products, Airsoft players
Remark	This shield is for impact protection only, not bullet proof.

Detail Show



Front View



Back View

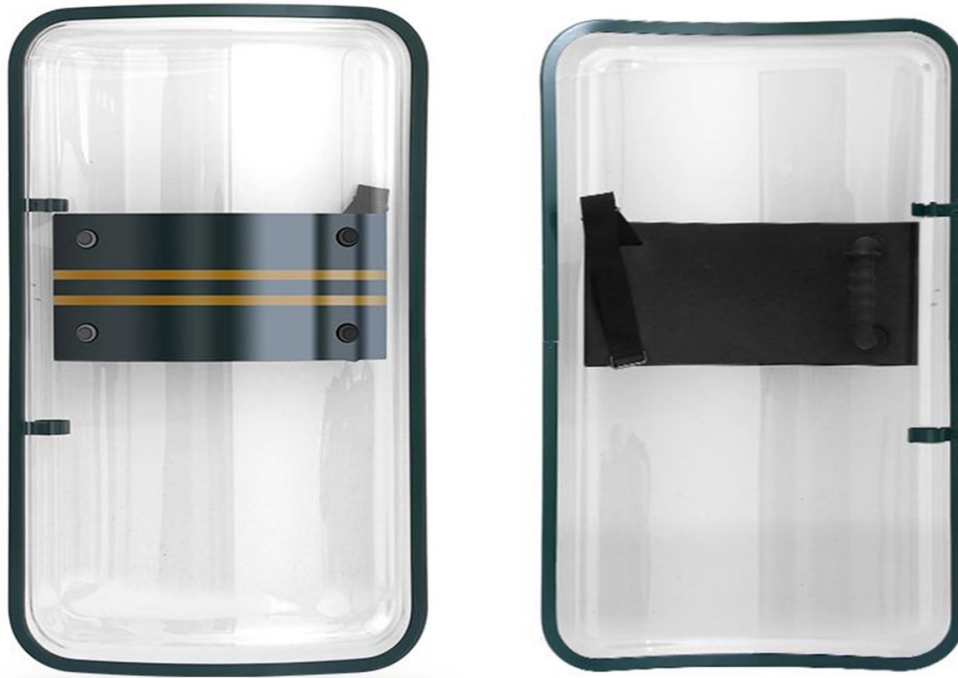


Adjustable Strap



*Ergonomic Handle;
Forearm Pad with Shock Protection;*

Anti Riot Shield



Item	Description
Product Name	Anti Riot Shield
Model	UVRS-RE-B
Raw Material	Solid Polycarbonate Sheet
Size	36 x 20" (900 x 500 mm)
Thickness	3 mm, 3.5 mm, 4 mm, 4.5 mm, 5 mm
Riot shield weight	From 3 to 6.3 kg (from 6.6 lbs to 13.8 lbs)
Light transmittance	≥80%
Color	Clear/transparent, custom colors are available
Logo	Ink print, Customized LOGO
Impact strength	147J kinetic energy impact
Puncture resistance	147J kinetic energy puncture

Handle connection strength $\geq 500N$

Armband connection strength $\geq 500N$

French Riot Shield



Item	Description
Product Name	French Riot Shield
Model	UVRS-RE-F
Raw Material	Flat Polycarbonate Sheet
Size	40 x 20" (1000 x 500 mm)
Thickness	3 mm, 3.5 mm, 4 mm, 4.5 mm, 5 mm
Riot shield weight	From 2.5 to 5 kg (from 5.5 lbs to 11 lbs)
Light transmittance	$\geq 80\%$
Color	Clear/transparent, custom colors are available
Logo	Ink print, Customized LOGO
Impact strength	147J kinetic energy impact
Puncture resistance	147J kinetic energy puncture
Handle connection strength	$\geq 500N$

Armband connection strength	≥ 500N
Target customer	Police departments, armed police, Riot squads, prisons, Security companies, security guards, Distributor of security products, Airsoft players
Remark	This shield is for impact protection only, not bulletproof.

Police Riot Shield



Item	Description
Product Name	Anti Riot Shield
Model	UVRS-RE-A
Raw Material	Polycarbonate
Size	36 x 20" (900 x 500 mm)
Thickness	3 mm, 3.5 mm, 4 mm, 4.5 mm, 5 mm
Riot shield weight	From 3 to 5 kg (from 6.6 lbs to 11 lbs)
Light transmittance	≥80%
Color	Clear/transparent, custom colors are available

Logo	Ink print, Customized LOGO
Impact strength	147J kinetic energy impact
Puncture resistance	147J kinetic energy puncture
Handle connection strength	≥ 500N
Armband connection strength	≥ 500N

Combination Riot Shield

Combination Riot Shield

Model: UVRS-C-A/B;
 Size for UVRS-C-A: 1600x550mm;
 Size for UVRS-C-B: 1200x550mm;
 Thickness: 3mm, 3.5mm, 4mm;



www.uvplastic.com

Item	Description
Product Name	Combination Riot Shield
Model	UVRS-C-A/B
Raw Material	Polycarbonate
Size	63" x 21" (1600 x 550 mm), 47" x 21" (1200 x 550 mm)
Thickness	3 mm, 3.5 mm, 4 mm, 4.5 mm, 5 mm

Riot shield weight	From 3.4 to 9.4 kg (from 7.5 lbs to 20.7 lbs)
Light transmittance	≥80%
Color	Clear/transparent, custom colors are available
Logo	Ink print, Customized LOGO
Impact strength	147J kinetic energy impact
Puncture resistance	147J kinetic energy puncture
Handle connection strength	≥ 500N
Armband connection strength	≥ 500N





CONTACT US

UVPLASTIC Material Technology Co., Ltd

Add: 205 Suzhou West Avenue, Suzhou Industrial Park, Suzhou City,
China, 215000

Tel: +86 512 85186727

E-mail: info@uvplastic.com

Homepage: www.uvplastic.com