



ONE-STOP SUPPLIER IN THE PLASTIC FIELD



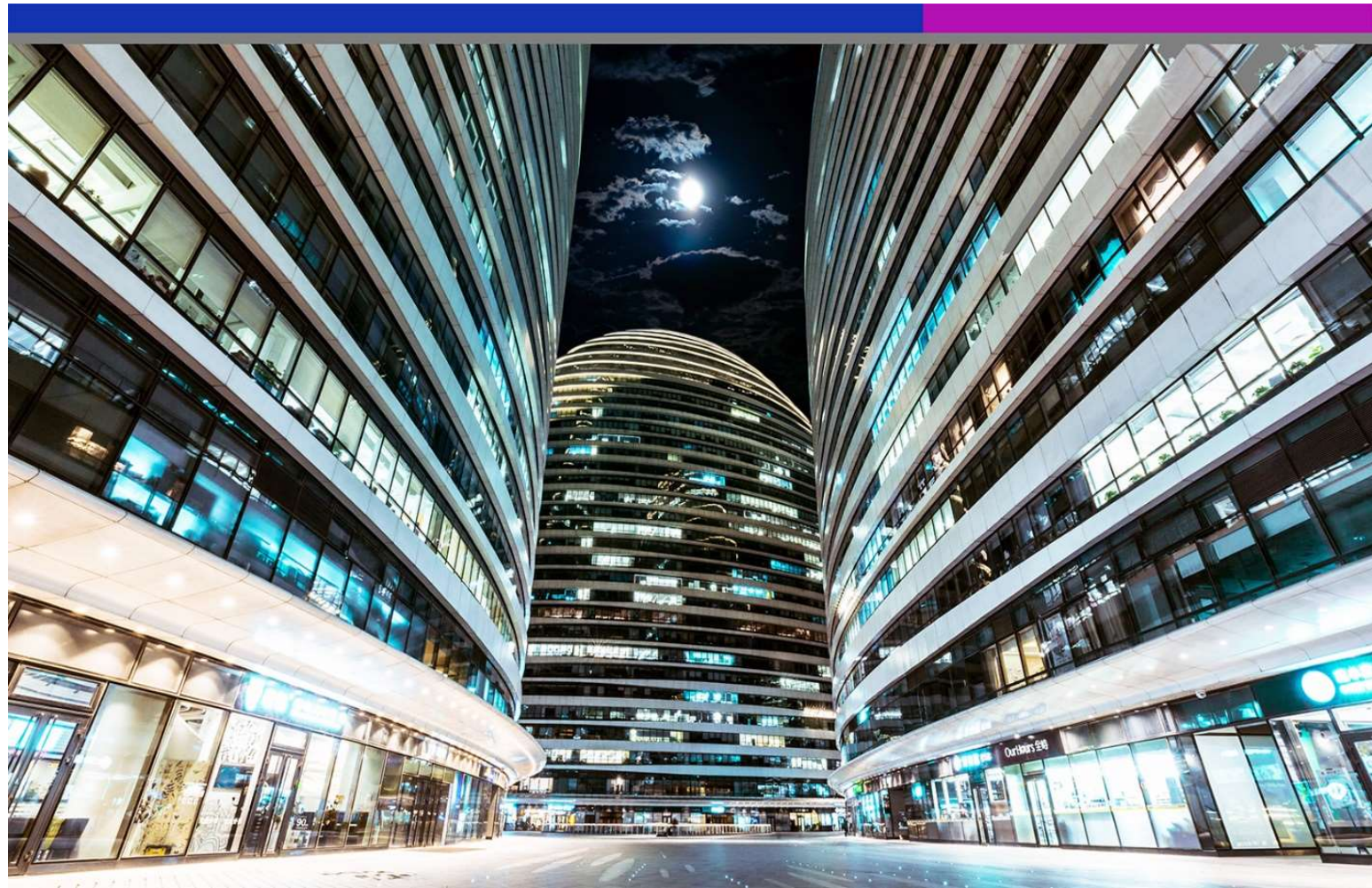
Polycarbonate & Acrylic



Plastic Fabrication



OEM & ODM



# UVPLASTIC

## Company Profile

[www.uvplastic.com](http://www.uvplastic.com)

# ABOUT UVPASTIC

2003

Founding Time

35

Staffs

30+

Countries

560+

Clients

12+

Millions

## WHO WE ARE

UVPLASTIC Material Technology Co., Ltd is a *ONE-STOP SUPPLIER* and *INTEGRATED SOLUTION PROVIDER* in the plastic field, established in 2003 at Suzhou, China. After many years of continuous effort, the company has grown to be a leading supplier of

[Polycarbonate Sheet;](#)

[Acrylic Sheet;](#)

[Plastic Fabrication Services;](#)

[OEM & ODM Services;](#)

Today, UVPLASTIC is active in architecture & construction, agriculture, medical industry, auto industry, security industry, electronic industry, POP display, optical industry, and industrial fabrication, etc.

## COOPERATION PARTNER



# WHY UVPLASTIC

## One-Stop Supplier



UVPLASTIC is a one-stop [supplier of polycarbonate](#) and acrylic sheets in all forms. Meantime, we offer the complete system for the greenhouse, building roof, and [facade system](#).

## Strong Fabrication Capacity



UVPLASTIC offers integrated fabrication solution for polycarbonate and acrylic sheets including [cutting](#), bending, drilling, milling, carving, thermoforming, injection molding, and coating.

## Design and Development

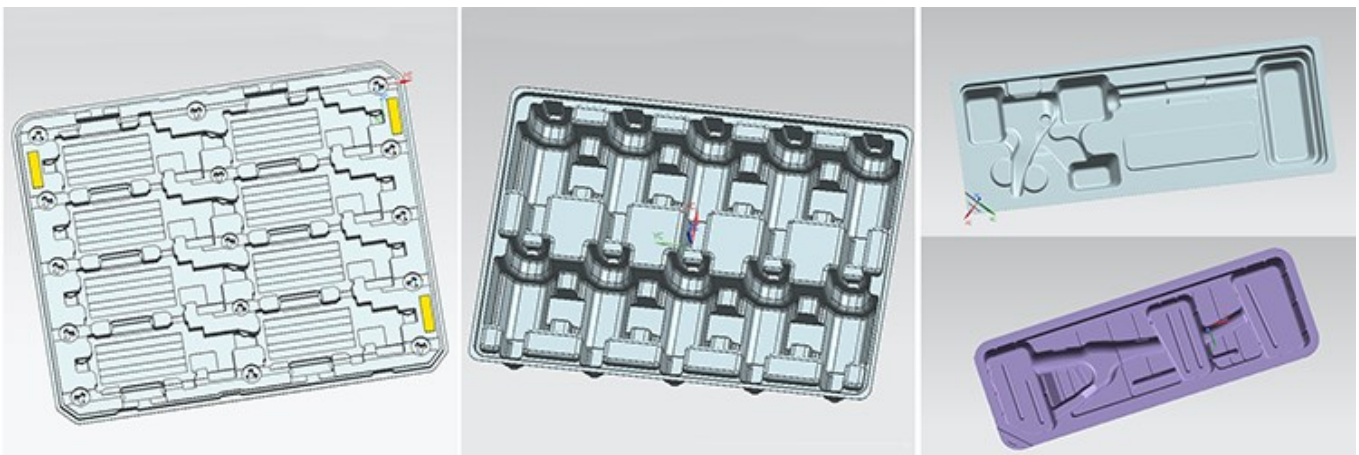
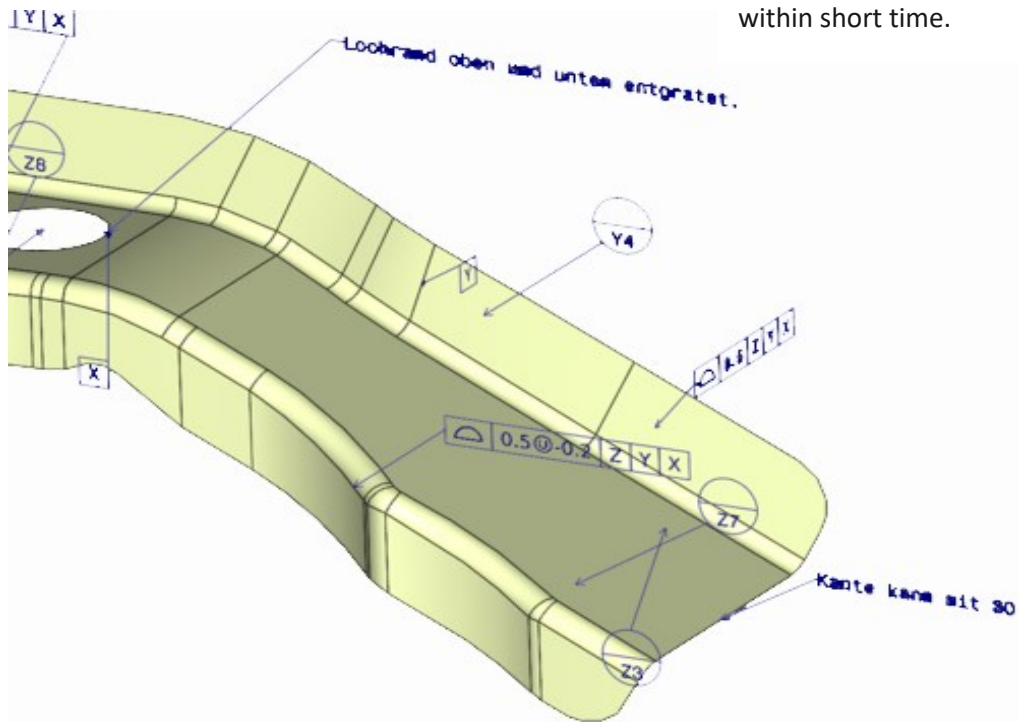


With assistance from CAD, Solidworks, CATIA, and UG, UVPLASTIC works with global engineers to discuss product feasibility and find the best solution for the projects.

## Custom Fabrication



With more than 15 years of experience and high efficient working style, UVPLASTIC can build the prototype fastly and will make customer's ideas come true within short time.



## ***Polycarbonate***

[Solid Polycarbonate sheet](#);  
[Multi Wall Polycarbonate Sheet](#);  
[Thin Polycarbonate Sheet/Film](#);  
[Hard Coated Polycarbonate Sheet](#);  
[Corrugated Polycarbonate Sheet](#);  
[ESD Polycarbonate Sheet](#);  
[Polycarbonate Diffuser Sheet](#);  
[V0 Flame Retardant Polycarbonate](#);

## ***Acrylic***

[Cast acrylic sheet](#);  
[Extruded Acrylic Sheet](#);  
[Colored Acrylic Sheet](#);  
[ESD Acrylic Sheet](#);  
[Coated Acrylic Sheet](#);  
[Non glare Acrylic Sheet](#);  
[Scratch Resistant Acrylic Sheet](#);  
[Acrylic Mirror Sheet](#);

## ***Plastic Fabrication Service***

Polycarbonate Cut To Size;  
Edge Finishing;  
Plastic Bending;  
Surface Finishing;  
Thermoforming;  
Screen/Digital printing

## ***OEM & ODM***

[Riot Shield](#);  
[Plastic Chair Mat](#);  
[Clear Kayak](#);  
[Polycarbonate skylight Dome](#);  
[Clear Bubble Tent](#);  
Acrylic Display;  
Acrylic Furniture;





## CONTACT UVPLASTIC

### **UVPLASTIC Material Technology Co.,Ltd**

Add: 205 Suzhou West Avenue, Suzhou Industrial Park, Suzhou City, China, 215000

Tel: +86 512 85186727

E-mail: [info@uvplastic.com](mailto:info@uvplastic.com)

Homepage: [www.uvplastic.com](http://www.uvplastic.com)